

ZMD SF-2 系列边界润滑轴承

SF-2 boundary lubrication bushing



ZMD 嘉善迈德机械有限公司

JIASHAN MADE MACHUBERY CO.,LTD

● 企业简介

浙江省嘉善迈德机械有限公司（ZMD）是一个专业生产销售 MFZH 微型滚珠套直线轴承、SF-1 (DU) 无油轴承、SF-2 (DX) 边界润滑轴承、JDB (500#) 固体镶嵌自润滑轴承、JF800 双金属轴承、FB090 青铜轴承等拾多种系列产品的企业。ZMD 企业技术力量雄厚，生产能力强大，检测设备完善，产品质量稳定。采用德国 DIN1494 标准作为企业产品标准，采用 ISO9000 标准管理。产品被各机械行业广泛应用，如：机械机床、工程机械、化工机械、冶金矿山机械、电力机械、食品机械、药业机械、仪器机械、农业机械、纺织机械、注塑机械，尤其在液压机械、汽车行业和印刷包装机械，冷轧行业用量较大。

ZMD 一贯坚持以质量第一、服务第一、用户第一，为用户的需要进一步研究开发各类用途的滑动轴承与新产品新领域的推广与运用……

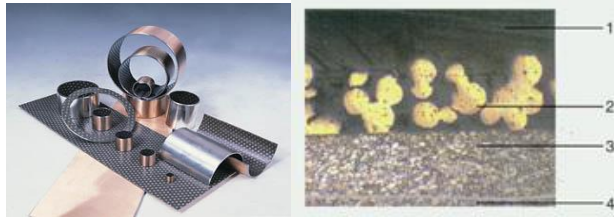
Introduction

JIASHAN MADE MACHUBERY CO.,LTD (ZMD) is the manufacture of products as MFZH mini ball cages, SF-1 (DU) oilless bushings, SF-2 (DX) boundary lubrication bushing, JDB inlaid solid lubricating bearings, JF800 double-metal bushes, FB090 bronze bush. Our product's range , output, quality , inspection and total management are all in the lead in the domestic bush field, and adopted DIN1494 standard from Germany for their own products, also adopted ISO9000 standard managed . The products are wildly used, such as machine tool, engineering mechanical, chemic mechanical, mine mechanical, electric mechanical, food mechanical, pharmaceutical mechanical, instrument mechanical, agriculture mechanical, textile mechanical, and there special used in refrigeration compressor machine, automobile machine, printing & packing machine, and etc., ZMD always insisted on quantity must be first, service must be first , customer must be first, for various uses to meet the demands of customer' s need and business man and friends come from civil and abroad.

ZMD are devoted in research product development and promotion of products for new application ……

● 产品简介

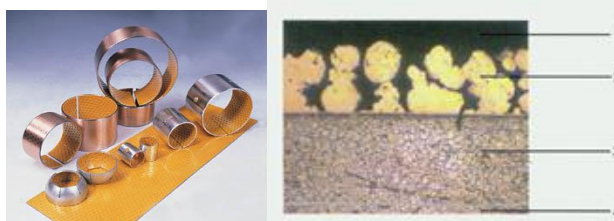
【1】SF-2 边界润滑轴承以钢板为基体、中间烧结球型青铜粉，表面轧制改性聚甲醛（POM），并含有储油坑。它适用于常温条件下和低速重载场所，取代传统铜套，既降低成本又延长使用寿命。产品广泛应用于汽车底盘、锻压机床、冶金矿山机械，工程机械，水电，轧钢行业等领域。



最大承载压力	LOAD CAPACITY	140N/mm ²
适用温度范围	TEMPERATURE LIMIT	-40℃~+130℃
最高滑动速度	SPEED LIMIT	2.5m/s
摩擦系数μ	FRICITION COEF	0.05~0.25
允许最高 PV 值	PV LIMIT (DRY)	2.8N/mm ² · m/s
允许最高 PV 值	PV LIMIT (OIL)	22 N/mm ² · m/s

SF-2 boundary lubrication bushing is based on a composite material with 3 firmly bonded layers: steel as backing, sintered bronze spherical powder as interlayer and modified POM as lining layer on which meanwhile oil indentations are introduced. It fits well for low speed, heavy duty and normal temperature and saves cost and prolongs working life when replacing normal all copper sleeves. It is widely applied in auto chassis, forging machine, metallurgical and mining machine , civil engineering, power station, strip rolling industries etc.

【2】SF-2Y 边界润滑无铅轴承是在 SF-2 的基础上改进而成。其性能与 SF-2 相同，但使用领域可扩展至无铅领域。

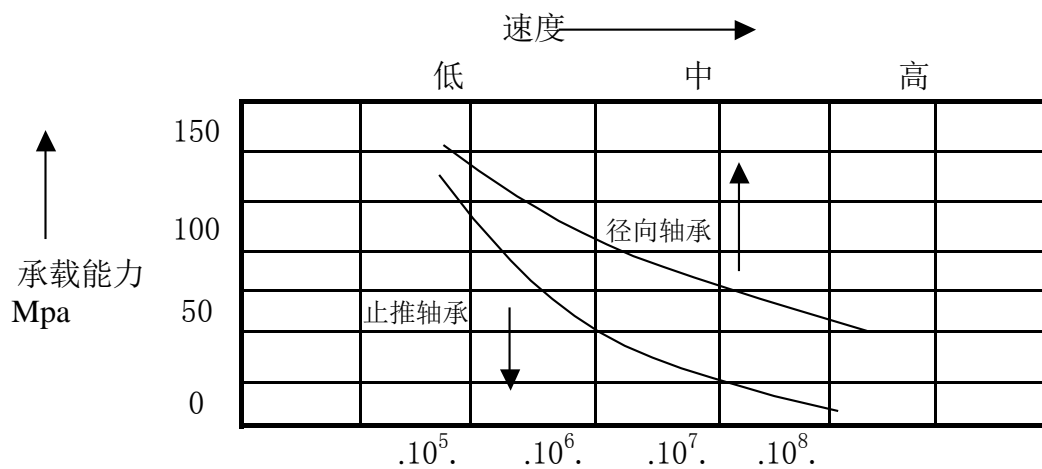


最大承载压力	LOAD CAPACITY	140N/mm ²
适用温度范围	TEMPERATURE LIMIT	-40℃~+130℃
最高滑动速度	SPEED LIMIT	2.5m/s
摩擦系数μ	FRICITION COEF	0.05~0.25
允许最高 PV 值	PV LIMIT (DRY)	2.8N/mm ² · m/s
允许最高 PV 值	PV LIMIT (OIL)	22 N/mm ² · m/s

SF-2Y non-lead boundary lubrication bushing is improved on the basis of SF-2. Therefore, it almost has the same properties with SF-2, but its application can be extended to where non-lead is required.

● 产品承载

如图所示,SF-2 型轴承的承载能力随滑动速度的增高而下降.在极低转速下旋转,其最高承载能力可达 140MPa,SF-2 型上推垫片的最高承载能力随所要求的使用寿命的增高而下降.例如,对 108 次旋转寿命的承载能力仅为 5MPa,而对 105 次以下寿命者其承载力可高达 140MPa.



● 产品性能

耐磨性能

轴承材料	磨擦系数	磨损率 mm^3/M
尼龙66 Nylon66	0.45	3.1×10^{-3}
聚甲醛 POM	0.35	1.6×10^{-3}
聚四氟乙烯 PTFE	0.16	1.4×10^{-1}
铝青铜 P6-bronze	0.44	2.9×10^{-1}
SF-2 M (改性聚甲醛)	0.23	6.2×10^{-4}

物理机械性能

测试项目	数据
最高承载能力	$250\text{N}/\text{mm}^2$
最高滑动速度(干)	2.5m/s
最高滑动速度(油)	5.0m/s
使用温度连续工作	$-40^\circ\text{C} \sim +90^\circ\text{C}$.
断续工作	$-40^\circ\text{C} \sim +130^\circ\text{C}$.
磨擦系数(干)	3×10^{-11}
磨擦系数(干)	$\mu : 0.15 \sim 0.25$
磨擦系数(油指)	$\mu : 0.15 \sim 0.26$
线胀系数	$3 \times 10^{-5}/^\circ\text{C}$
热导系数	40W/MK

ZMD-SF系列复合自润滑轴承

SF Series Self-Lubricating Bushes

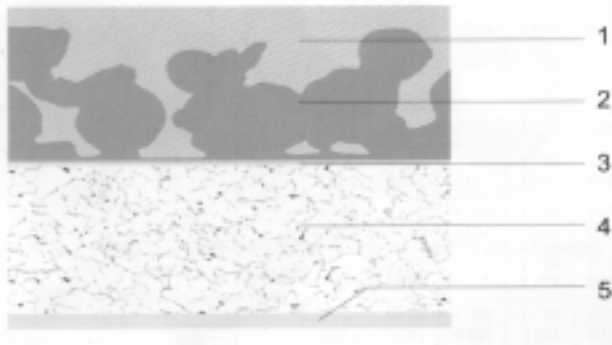
SF-1(DU) SF-2(DX)的结构 Structure of SF-1(DU),SF-2(DX) bearing materials

SF-1是由PTFE材料制成的无油润滑轴承，是将锡青铜球粉烧结到镀铜板上形成多孔层，然后将PTFE和铅的混合物轧制到烧结层的表面。

SF-1(DU) is a kind of oilless slide Bushing made of the PTFE composite material, which is a copper-plated steel plate on to which a porous layer of tin bronze powder is sintered and also a mixture of PTFE and lead are filled into and covered the porous layer by a rolling process.

SF-2是由POM材料制成的无边界油润滑轴承，是以镀铜铜板为基体，中间层为烧结锡青铜粉，表面牢固轧制改性聚甲醛（POM）材料，其上有许多微孔为储存润滑剂。

SF-2 (DX) is a boundary lubricating bushes made of the POM composite material, which also has a copper-plated steel plate on to which a tin bronze powder is sintered, modified polyformaldehyde resin (POM) is firmly anchored in the sintered bronze layer. The surface of covering layer has many pockets to retain lubricating grease.



	SF-1	SF-2
1	聚四氟乙烯与铅 PTFE and lead	改性聚甲醛 POM
2	锡青铜粉 Tin Bronze Powder	锡青铜粉 Tin Bronze Powder
3	镀铜层 copper layer	镀铜层 copper layer
4	钢背 steel back	钢背 steel back
5	镀铜层 copper layer	镀铜层 copper layer

SF-1、SF-2的性能 Properties of SF-1、SF-2 bearing materials

项 目	抗压强度	工作温度	摩擦系数	磨痕宽度	极限PV值	磨损极限	导热系数	热胀系数
Item Material	Compressive strength (Mpa)	Temperature range ()	Coefficient of friction (脂/grease)	Width of wear (mm) (脂/grease)	PV factor limit (Mpa.m/s) (脂/grease)	wear Depth Limit (mm)	Thermal Comductivity Kcal/M.br.C	Coefficient of Linear expansion (per)
SF-1(DU)	280	-195+270	< 0.20	< 5.5	3.6	0.05	2.41	2.7X10.5
SF-2(DX)	140	-20+100	< 0.20 (脂/grease)	< 4.5 (脂/grease)	10 (脂/grease)	0.5	2.03	5.1X10-5

标准衬套公差 TOLERANCE FOR STANDARD BUSH

SF-1、SF-1F衬套壁厚公差按DIN 1494 第二部分

The wallthickness tolerance of SF-1,SF-1F is according to DIN 1494 part

unit: mm

轴承内径尺寸 Nominal bush bore	壁厚公称尺寸 Nominal Wall thckness	壁厚公差 Tolerance for Wall thickness
5-19	1	+0.005 -0.020
28-44	2	+0.005 -0.030
45-79	2.5	+0.005 -0.040
80-119	2.5	-0.010 -0.060
120-300	2.5	-0.035 -0.085

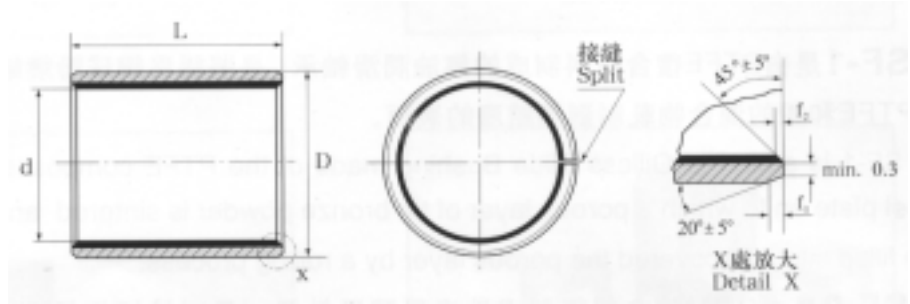
SF-1、SF-2、SF-1F衬套外径公差按DIN 1494 第二部分

The tolerance for outside diameter of SF-1,SF-2 and SF-1F bush is according to DIN 1494 part

unit: mm

外径尺寸 nominal outside diameter	壁厚公差 tolerance for outside diamter
10	+0.055 +0.025
10 ~ 18	+0.065 +0.030
18 ~ 30	+0.075 +0.035
30 ~ 40	+0.085 +0.045
40 ~ 50	+0.085 +0.045
50 ~ 80	+0.100 +0.055
80 ~ 105	+0.120 +0.070
105 ~ 180	+0.170 +0.100
180 ~ 250	+0.210 +0.130
250 ~ 305	+0.260 +0.170

SF-1(DU) 标准轴承
Standard Series of SF-1 Bushes



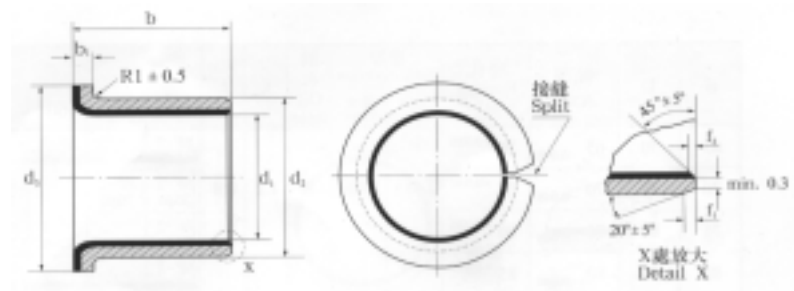
d	D	轴径 Axle	座孔 Housing H17	壁厚		f ₁	f ₂	长度																
				Wall thickness				L ⁰ _{-0.4} (^{<0.28 L-0.3} _{>0.30 L-0.4})																
				最小 min	最大 max			6	8	10	12	15	20	25	30	40	50	60						
6	8	6 ^{-0.013} _{-0.028}	8 ^{+0.015}	0.98	1.005	0.5	0.3	SF-1 0608	SF-1 0608	SF-1 0610														
8	10	8 ^{-0.013} _{-0.028}	10 ^{+0.015}					SF-1 0806	SF-1 0808	SF-1 0810	SF-1 0812	SF-1 0815												
10	12	10 ^{-0.016} _{-0.034}	12 ^{+0.018}					SF-1 1006	SF-1 1008	SF-1 1010	SF-1 1012	SF-1 1015	SF-1 1020											
12	14	12 ^{-0.016} _{-0.034}	14 ^{+0.018}					SF-1 1206	SF-1 1208	SF-1 1210	SF-1 1212	SF-1 1215	SF-1 1220	SF-1 1225										
13	15	13 ^{-0.016} _{-0.034}	15 ^{+0.018}							SF-1 1310			SF-1 1320											
14	16	14 ^{-0.016} _{-0.034}	16 ^{+0.018}							SF-1 1410	SF-1 1412	SF-1 1415	SF-1 1420	SF-1 1425										
15	17	15 ^{-0.016} _{-0.034}	17 ^{+0.018}							SF-1 1510	SF-1 1512	SF-1 1515	SF-1 1520	SF-1 1525										
16	18	16 ^{-0.016} _{-0.034}	18 ^{+0.018}							SF-1 1610	SF-1 1612	SF-1 1615	SF-1 1620	SF-1 1625										
17	19	17 ^{-0.016} _{-0.034}	19 ^{+0.021}							SF-1 1710	SF-1 1712		SF-1 1720											
18	20	18 ^{-0.016} _{-0.034}	20 ^{+0.021}							SF-1 1810	SF-1 1812	SF-1 1815	SF-1 1820	SF-1 1825										
20	23	20 ^{-0.020} _{-0.041}	23 ^{+0.021}	1.475	1.505	0.8	0.4			SF-1 2010	SF-1 2012	SF-1 2015	SF-1 2020	SF-1 2025	SF-1 2030									
22	25	22 ^{-0.020} _{-0.041}	25 ^{+0.021}					SF-1 2210	SF-1 2212	SF-1 2215	SF-1 2220	SF-1 2225	SF-1 2230											
24	27	24 ^{-0.020} _{-0.041}	27 ^{+0.021}							SF-1 2415	SF-1 2420	SF-1 2425	SF-1 2430											
25	28	25 ^{-0.020} _{-0.041}	28 ^{+0.021}					SF-1 2510	SF-1 2512	SF-1 2515	SF-1 2520	SF-1 2525	SF-1 2530	SF-1 2540	SF-1 2550									
28	32	28 ^{-0.020} _{-0.041}	32 ^{+0.025}	1.970	2.005	1.0	0.6			SF-1 2815	SF-1 2820	SF-1 2825	SF-1 2830	SF-1 2840										
30	34	30 ^{-0.020} _{-0.041}	34 ^{+0.025}					SF-1 3012	SF-1 3015	SF-1 3020	SF-1 3025	SF-1 3030	SF-1 3040											
32	36	32 ^{-0.025} _{-0.050}	36 ^{+0.025}							SF-1 3220		SF-1 3230	SF-1 3240											
35	39	35 ^{-0.025} _{-0.050}	39 ^{+0.025}							SF-1 3512	SF-1 3515	SF-1 3520	SF-1 3525	SF-1 3530	SF-1 3540	SF-1 3550								
38	42	38 ^{-0.025} _{-0.050}	42 ^{+0.025}								SF-1 3815			SF-1 3830	SF-1 3840									
40	44	40 ^{-0.025} _{-0.050}	44 ^{+0.025}							SF-1 4012		SF-1 4020	SF-1 4025	SF-1 4030	SF-1 4040	SF-1 4050								

SF-1(DU) 标准轴承
Standard Series of SF-1 Bushes

d	D	轴径 Axle	座孔 Housing H17	壁厚		f ₁	f ₂	长度 L ⁰ _{-0.4} (^{<Φ28 L-0.3} _{>Φ30 L-0.4})													
				Wall thickness				20	25	30	40	50	60	70	80	100	115				
				最小 min	最大 max																
45	50	45 ^{-0.025} _{-0.050}	50 ^{+0.025}	2.460	2.505	1.2	0.8	SF-1 4520	SF-1 4525	SF-1 4530	SF-1 4540	SF-1 4550									
50	55	50 ^{-0.025} _{-0.050}	55 ^{+0.030}					SF-1 5020		SF-1 5030	SF-1 5040	SF-1 5050	SF-1 5060								
55	60	55 ^{-0.030} _{-0.060}	60 ^{+0.0030}							SF-1 5530	SF-1 5540	SF-1 5550	SF-1 5560								
60	65	60 ^{-0.030} _{-0.060}	65 ^{+0.030}							SF-1 6030	SF-1 6040	SF-1 6050	SF-1 6660	SF-1 6670							
65	70	65 ^{-0.030} _{-0.060}	70 ^{+0.030}							SF-1 6530	SF-1 6540	SF-1 6550	SF-1 6560	SF-1 6570							
70	75	70 ^{-0.030} _{-0.060}	75 ^{+0.030}								SF-1 7040	SF-1 7050	SF-1 7060	SF-1 7070	SF-1 7080						
75	80	75 ^{-0.030} _{-0.060}	80 ^{+0.030}								SF-1 7530	SF-1 7540	SF-1 7550	SF-1 7560	SF-1 7570	SF-1 7580					
80	85	80 ^{-0.030}	85 ^{+0.035}	2.440	2.490	1.4	0.8			SF-1 8040	SF-1 8050	SF-1 8060	SF-1 8070	SF-1 8080	SF-1 80100						
85	90	85 ^{-0.035}	90 ^{+0.035}							SF-1 8540		SF-1 8560		SF-1 8580	SF-1 85100						
90	95	90 ^{-0.035}	95 ^{+0.035}							SF-1 9040	SF-1 9050	SF-1 9060		SF-1 9080	SF-1 90100						
95	100	95 ^{-0.035}	100 ^{+0.035}								SF-1 9550	SF-1 9560		SF-1 9580	SF-1 95100						
100	105	100 ^{-0.035}	105 ^{+0.035}								SF-1 10050	SF-1 10060		SF-1 10080		SF-1 100115					
105	110	105 ^{-0.035}	110 ^{+0.035}									SF-1 10560		SF-1 10580		SF-1 105115					
110	115	110 ^{-0.035}	115 ^{+0.035}									SF-1 11060		SF-1 11080		SF-1 110115					
120	125	120 ^{-0.035}	125 ^{+0.040}	2.415	2.465	1.4	0.8					SF-1 12060		SF-1 12080	SF-1 120100						
125	130	125 ^{-0.040}	130 ^{+0.040}									SF-1 12560			SF-1 125100	SF-1 125115					
130	135	130 ^{-0.040}	135 ^{+0.040}									SF-1 13060		SF-1 13080	SF-1 130100						
140	145	140 ^{-0.040}	145 ^{+0.040}									SF-1 14060		SF-1 14080	SF-1 140100						
150	155	150 ^{-0.040}	155 ^{+0.040}									SF-1 15060		SF-1 15080	SF-1 150100						
160	165	160 ^{-0.040}	165 ^{+0.040}									SF-1 16060		SF-1 16080	SF-1 160100						
180	185	180 ^{-0.040}	185 ^{+0.046}													SF-1 18080	SF-1 180100				
190	195	190 ^{-0.046}	195 ^{+0.046}	2.415	2.465	1.4	0.8					SF-1 19080	SF-1 190100								
200	205	200 ^{-0.046}	205 ^{+0.046}									SF-1 20060		SF-1 20080	SF-1 200100						
220	225	220 ^{-0.046}	225 ^{+0.046}											SF-1 22080	SF-1 220100						
250	255	250 ^{-0.046}	255 ^{+0.052}	2.415	2.465	1.4	0.8						SF-1 25080	SF-1 250100							
260	265	260 ^{-0.052}	265 ^{+0.052}											SF-1 26080	SF-1 260100						
280	285	280 ^{-0.052}	285 ^{+0.052}											SF-1 28080	SF-1 280100						
300	305	300 ^{-0.052}	305 ^{+0.052}											SF-1 30080	SF-1 300100						

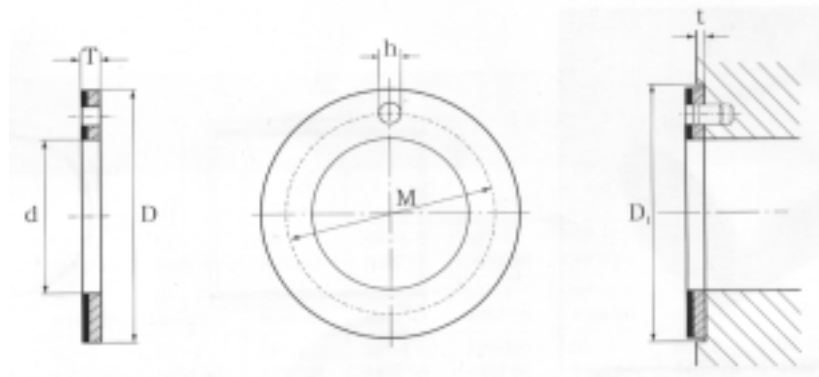
SF-1F 翻边标准轴承

Standard Series of SF-1F Flanged Bushes



轴径 Axle	座孔 Housing H7	规格标记 Designation	尺寸Size					f ₁	f ₂
			d ₁	d ₂	d ₃ ±0.5	b±0.25	b ₁ -0.2		
6 ^{-0.013 -0.028}	8 ^{+0.015}	SF-1F06040	6	8	12	4	1	0.5	0.3
		SF-1F06070				7			
8 ^{-0.013 -0.028}	10 ^{+0.015}	SF-1F08055	8	10	15	5.5			
		SF-1F08075				7.5			
10 ^{-0.016 -0.034}	12 ^{+0.018}	SF-1F10070	10	12	18	7			
		SF-1F10090				9			
		SF-1F10120				12			
12 ^{-0.016 -0.034}	14 ^{+0.018}	SF-1F12070	12	14	20	7			
		SF-1F12090				9			
		SF-1F10120				12			
14 ^{-0.016 -0.034}	16 ^{+0.018}	SF-1F14120	14	16	22	12			
		SF-1F14170				17			
15 ^{-0.016 -0.034}	17 ^{+0.018}	SF-1F15090	15	17	23	9			
		SF-1F15120				12			
		SF-1F15170				17			
16 ^{-0.016 -0.034}	18 ^{+0.018}	SF-1F16120	16	18	24	12			
		SF-1F16170				17			
18 ^{-0.016 -0.034}	20 ^{+0.021}	SF-1F18120	18	20	26	12			
		SF-1F18170				17			
		SF-1F18200				20			
20 ^{-0.020 -0.041}	23 ^{+0.021}	SF-1F20115	20	23	30	11.5			
		SF-1F20165				16.5			
		SF-1F20215				21.5			
22 ^{-0.020 -0.041}	25 ^{+0.021}	SF-1F22150	22	25	32	15			
		SF-1F22200				20			
25 ^{-0.020 -0.041}	28 ^{+0.021}	SF-1F25115	25	28	35	11.5			
		SF-1F25165				16.5			
		SF-1F25215				21.5			
30 ^{-0.025 -0.050}	34 ^{+0.025}	SF-1F30160	30	34	42	16			
		SF-1F30260				26			
35 ^{-0.025 -0.050}	34 ^{+0.025}	SF-1F35160	35	39	47	16			
		SF-1F35260				26			
40 ^{-0.025 -0.050}	34 ^{+0.025}	SF-1F40260	40	44	53	26			
		SF-1F40400				40			

SF 标准止推垫片
SF Metric Thrust Washer



轴径 Axle	规格标志 Designation	垫片尺寸Size of Washer				安装尺寸Installation size		
		$d+0.25$	$D-0.25$	$T-0.05$	$M\pm 0.125$	$h^{+0.4}_{-0.1}$	$t \pm 0.2$	$D_1+0.12$
8	SFWC10	10	20	1.5	15	1.5	1	20
10	SFWC12	12	24		18			24
12	SFWC14	14	26		20	2		26
14	SFWC16	16	30		23			30
16	SFWC18	18	32		25	3		32
18	SFWC20	20	36		28			36
20	SFWC22	22	38		30	4		38
22	SFWC24	24	42		33			42
24	SFWC26	26	44		35	1.5		44
26	SFWC28	28	48		38			48
30	SFWC32	32	54		43	2		54
36	SFWC38	38	62		50			62
40	SFWC42	42	66		54	1.5		66
46	SFWC48	48	74		61			74
50	SFWC52	52	78	65	78			
60	SFWC62	62	90	76		90		

说明：MSB-SF 止推垫片，安装时必须钻孔，用定位销钉固定于基础上。

A dowel or counter sunk screw should be used to prevent rotation, but the head must be recessed at least 0.25mm below the thrust bearing surface.

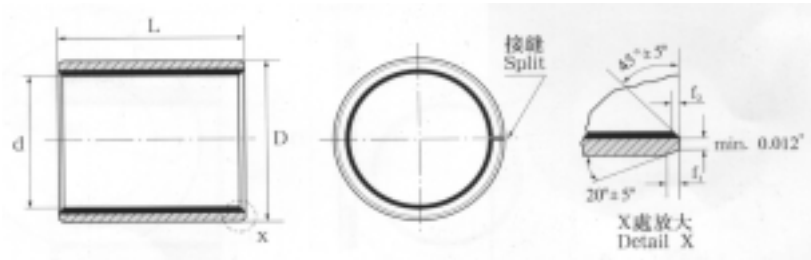
SF 标准板材尺寸
Standard Series of SF Strips

unit: mm

型号Type	长度Lenget	宽度Width ± 1	厚度Thickness-0.04
SF-1 SF-2	500	125	1.0
SF-1 SF-2	500	125	1.5
SF-1 SF-2	500	125	2.0
SF-1 SF-2	500	125	2.5
SF-2	500	125	3.0

英制SF-1,SF-2标准轴承 (Inch)

(Inch)Standard Series of SF-1, SF-2 Bushes



unit: inch

推荐 Recommended		安装轴承	长度 Length ±0.015						
轴 Shaft Dia	孔 Housing bore	Installed bearing d							
0.1243	0.1878	0.1268	SF-1	SF-1					
0.1236	0.1873	0.1243	02SF02	02SF03					
0.1554	0.2191	0.1581	SF-1	SF-1					
0.1547	0.2186	0.1556	025SF025	025SF04					
0.1865	0.2503	0.1893	SF-1	SF-1	SF-1				
0.1858	0.2497	0.1867	03SF03	03SF04	03SF06				
0.2490	0.3128	0.2518	SF-1	SF-1					
0.2481	0.3122	0.2492	04SF04	04SF06					
0.3115	0.3753	0.3143	SF-1	SF-1					
0.3106	0.3747	0.3117	05SF06	05SF08					
0.3740	0.4691	0.3769	SF-1	SF-1	SF-1	SF-1	SF-1	SF-1	SF-1
0.3731	0.4684	0.3742	06SF03	06SF04	06SF006	06SF08	06SF10	06SF12	06SF12
0.4365	0.5316	0.4394	SF-1	SF-1					
0.4355	0.5309	0.4367	07SF08	07SF12					
0.4990	0.5941	0.5019	SF-1	SF-1	SF-1	SF-1	SF-1	SF-1	SF-1
0.4980	0.5934	0.4992	08SF04	08SF06	08SF08	08SF10	08SF10	08SF10	08SF14
0.5615	0.6566	0.5644	SF-1	SF-1	SF-1	SF-1			
0.5605	0.6559	0.5617	09SF06	09SF08	09SF10	09SF12			
0.6240	0.7192	0.627	SF-1	SF-1	SF-1	SF-1	SF-1	SF-1	SF-1
0.6230	0.7184	0.6242	10SF04	10SF08	10SF10	10SF12	10SF14	10SF16	10SF16
0.6865	0.7817	0.6895	SF-1						
0.6855	0.7809	0.6867	11SF14						
0.7491	0.8755	0.7525	SF-1	SF-1	SF-1	SF-1	SF-1	SF-1	SF-1
0.7497	0.8747	0.7493	12SF04	12SF06	12SF08	12SF10	12SF12	12SF12	12SF16
0.8116	0.9380	0.8150	SF-1	SF-1					
0.8104	0.9372	0.8118	13SF12	13SF18					
0.8741	1.0005	0.8775	SF-1	SF-1	SF-1	SF-1	SF-1	SF-1	SF-1
0.8729	0.9997	0.8743	14SF04	14SF06	14SF12	14SF16	14SF20	14SF20	14SF20
0.9991	1.1255	1.0025	SF-1	SF-1	SF-1	SF-1	SF-1	SF-1	SF-1
0.9979	1.1247	0.9993	16SF06	16SF08	16SF12	16SF16	16SF20	16SF20	16SF24
1.1238	1.2818	1.1278	SF-1	SF-1	SF-1	SF-1			
1.1226	1.2808	1.1240	18SF06	18SF10	18SF12	18SF16			
1.2488	1.4068	1.2528	SF-1	SF-1	SF-1	SF-1	SF-1	SF-1	SF-1
1.2472	1.4058	1.2490	20SF06	20SF12	20SF14	20SF16	20SF20	20SF20	20SF28
1.3738	1.5318	1.3778	SF-1	SF-1	SF-1	SF-1			
1.3722	1.5308	1.3740	22SF12	22SF14	22SF24	22SF28			
1.4988	1.6568	1.5028	SF-1	SF-1	SF-1	SF-1	SF-1	SF-1	SF-1
1.4972	1.6558	1.4990	24SF08	24SF16	24SF18	24SF20	24SF24	24SF24	24SF32
1.6238	1.7818	1.6278	SF-1	SF-1					
1.6222	1.7808	1.6240	26SF16	26SF24					
1.7487	1.9381	1.7537	SF-1	SF-1	SF-1				
1.7471	1.9371	1.7489	28SF16	28SF24	28SF32				
1.8737	2.0633	1.8787	SF-1	SF-1	SF-1				
1.8721	2.0621	1.8739	30SF12	30SF16	30SF36				
1.9987	2.1883	2.0037	SF-1	SF-1	SF-1	SF-1	SF-1	SF-1	SF-1
1.9969	2.1871	1.9989	32SF08	32SF16	32SF24	32SF28	32SF32	32SF32	32SF40

英制SF-1,SF-2标准轴承 (Inch)

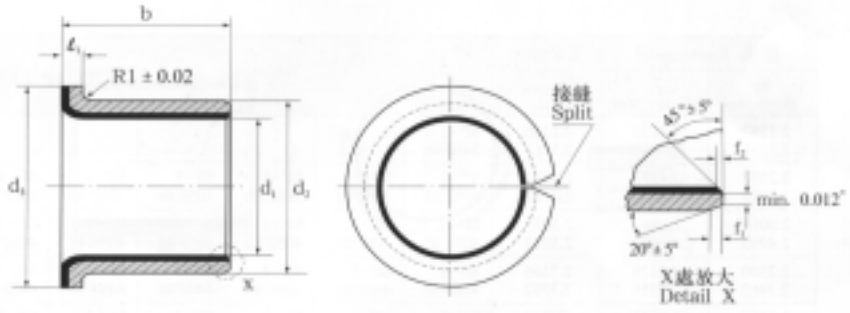
(Inch)Standard Series of SF-1, SF-2 Bushes

unit: inch

推荐 Recommended		安装轴承	长度 Length ±0.015											
轴 Shaft Dia	孔 Housing bore	Installed bearing d												
2.1257	2.3130	2.1326	SF-1											
2.1239	2.3118	2.1262	34SF48											
2.2507	2.4377	2.2573	SF-1	SF-1	SF-1	SF-1	SF-1	SF-1	SF-1	SF-1	SF-1			
2.2489	2.4365	2.2509	36SF28	36SF32	36SF40	36SF48	36SF56	36SF60	36SF64	36SF72				
2.5011	2.6881	2.5077	SF-1	SF-1	SF-1	SF-1	SF-1	SF-1	SF-1	SF-1	SF-1	SF-1	SF-1	SF-1
2.4993	2.6869	2.5013	40SF16	40SF26	40SF32	40SF40	40SF48	40SF56	40SF60	40SF64	40SF72	40SF76	40SF80	
2.7500	2.9370	2.7566	SF-1	SF-1	SF-1	SF-1	SF-1	SF-1	SF-1	SF-1	SF-1	SF-1	SF-1	SF-1
2.7482	2.9358	2.7502	44SF32	44SF36	44SF40	44SF48	44SF56	44SF60	44SF64	44SF72	44SF76	44SF80		
2.8752	3.0623	2.8819	SF-1	SF-1	44SF35	SF-1	SF-1	SF-1	SF-1	SF-1	SF-1	SF-1	SF-1	SF-1
2.8734	3.0610	2.8754	46SF32	46SF36	46SF40	46SF48	46SF56	46SF60	46SF64	46SF72	46SF76	46SF80		
3.0000	3.1872	3.0068	SF-1	SF-1	SF-1	SF-1	SF-1	SF-1	SF-1	SF-1	SF-1	SF-1	SF-1	SF-1
2.9982	3.1858	3.0002	48SF32	48SF36	48SF40	48SF48	48SF56	48SF60	48SF64	48SF72	48SF76	48SF80		
3.2500	3.4372	3.2568	SF-1	SF-1	SF-1	SF-1	SF-1	SF-1	SF-1	SF-1	SF-1	SF-1	SF-1	SF-1
3.2480	3.4358	3.2502	52SF32	52SF36	52SF40	52SF48	52SF56	52SF60	52SF64	52SF72	52SF76	52SF80		
3.5000	3.6872	3.5068	SF-1	SF-1	SF-1	SF-1	SF-1	SF-1	SF-1	SF-1	SF-1	SF-1	SF-1	SF-1
3.4978	3.6858	3.5002	56SF32	56SF36	56SF40	56SF48	56SF56	56SF60	56SF64	56SF72	56SF76	56SF80		
3.6250	3.8122	3.6318	SF-1	SF-1	SF-1	SF-1	SF-1	SF-1	SF-1	SF-1	SF-1	SF-1	SF-1	SF-1
3.6228	3.8108	3.6252	58SF32	58SF36	58SF40	58SF48	58SF56	58SF60	58SF64	58SF72	58SF76	58SF80		
3.7500	3.9372	3.7568	SF-1	SF-1	SF-1	SF-1	SF-1	SF-1	SF-1	SF-1	SF-1	SF-1	SF-1	SF-1
3.7478	3.9358	3.7502	60SF32	60SF36	60SF40	60SF48	60SF56	60SF60	60SF64	60SF72	60SF76	60SF80		
4.0000	4.1872	4.0068	SF-1	SF-1	SF-1	SF-1	SF-1	SF-1	SF-1	SF-1	SF-1	SF-1	SF-1	SF-1
3.9978	4.1858	4.0002	64SF32	64SF36	64SF40	64SF48	64SF56	64SF60	64SF64	64SF72	64SF76	64SF80		
4.2500	4.4372	4.2568	SF-1	SF-1	SF-1	SF-1	SF-1	SF-1	SF-1	SF-1	SF-1	SF-1	SF-1	SF-1
4.2478	4.4358	4.2502	68SF32	68SF36	68SF40	68SF48	68SF56	68SF60	68SF64	68SF72	68SF76	68SF80		
4.3750	4.5622	4.3818	SF-1	SF-1	SF-1	SF-1	SF-1	SF-1	SF-1	SF-1	SF-1	SF-1	SF-1	SF-1
4.3728	4.5608	4.3752	70SF32	70SF36	70SF40	70SF48	70SF56	70SF60	70SF64	70SF72	70SF76	70SF80		
4.5000	4.6872	4.5068	SF-1	SF-1	SF-1	SF-1	SF-1	SF-1	SF-1	SF-1	SF-1	SF-1	SF-1	SF-1
4.4978	4.6858	4.5002	72SF32	72SF36	72SF40	72SF48	72SF56	72SF60	72SF64	72SF72	72SF76	72SF80		
4.7500	4.9374	4.7572	SF-1	SF-1	SF-1	SF-1	SF-1	SF-1	SF-1	SF-1	SF-1	SF-1	SF-1	SF-1
4.7475	4.9358	4.7502	76SF32	76SF36	76SF40	76SF48	76SF56	76SF60	76SF64	76SF72	76SF76	76SF80		
4.9986	5.186	5.0056	SF-1	SF-1	SF-1	SF-1	SF-1	SF-1	SF-1	SF-1	SF-1	SF-1	SF-1	SF-1
4.9961	5.01844	4.9988	80SF32	80SF36	80SF40	80SF48	80SF56	80SF60	80SF64	80SF72	80SF76	80SF80		
5.2500	5.4374	5.2570	SF-1	SF-1	SF-1	SF-1	SF-1	SF-1	SF-1	SF-1	SF-1	SF-1	SF-1	SF-1
5.2475	5.4358	5.2502	84SF32	84SF36	84SF40	84SF48	84SF56	84SF60	84SF64	84SF72	84SF76	84SF80		
5.5000	5.6874	5.5070	SF-1	SF-1	SF-1	SF-1	SF-1	SF-1	SF-1	SF-1	SF-1	SF-1	SF-1	SF-1
5.4975	5.6858	5.5002	88SF32	88SF36	88SF40	88SF48	88SF56	88SF60	88SF64	88SF72	88SF76	88SF80		
5.7500	5.9374	5.7570	SF-1	SF-1	SF-1	SF-1	SF-1	SF-1	SF-1	SF-1	SF-1	SF-1	SF-1	SF-1
5.7475	5.9358	5.7502	92SF32	92SF36	92SF40	92SF48	92SF56	92SF60	92SF64	92SF72	92SF76	92SF80		
6.0000	6.1874	6.0070	SF-1	SF-1	SF-1	SF-1	SF-1	SF-1	SF-1	SF-1	SF-1	SF-1	SF-1	SF-1
5.9975	6.1858	6.0002	96SF32	96SF36	96SF40	96SF48	96SF56	96SF60	96SF64	96SF72	96SF76	96SF80		
6.2500	6.4374	6.2570	SF-1	SF-1	SF-1	SF-1	SF-1	SF-1	SF-1	SF-1	SF-1	SF-1	SF-1	SF-1
6.2475	6.4358	6.2502	100SF32	100SF36	100SF40	100SF48	100SF56	100SF60	100SF64	100SF72	100SF76	100SF80		
6.5000	6.6874	6.5070	SF-1	SF-1	SF-1	SF-1	SF-1	SF-1	SF-1	SF-1	SF-1	SF-1	SF-1	SF-1
6.4975	6.6858	6.5002	104SF32	104SF36	104SF40	104SF48	104SF56	104SF60	104SF64	104SF72	104SF76	104SF80		
6.7500	6.9374	6.7570	SF-1	SF-1	SF-1	SF-1	SF-1	SF-1	SF-1	SF-1	SF-1	SF-1	SF-1	SF-1
6.7475	6.9358	6.7502	108SF32	108SF36	108SF40	108SF48	108SF56	108SF60	108SF64	108SF72	108SF76	108SF80		
6.9954	7.183	7.0026	SF-1	SF-1	SF-1	SF-1	SF-1	SF-1	SF-1	SF-1	SF-1	SF-1	SF-1	SF-1
6.9929	7.1812	6.9956	112SF32	112SF36	112SF40	112SF48	112SF56	112SF60	112SF64	112SF72	112SF76	112SF80		

英制SF-1F标准轴承

Inch Standard Series of SF-1F Bushes

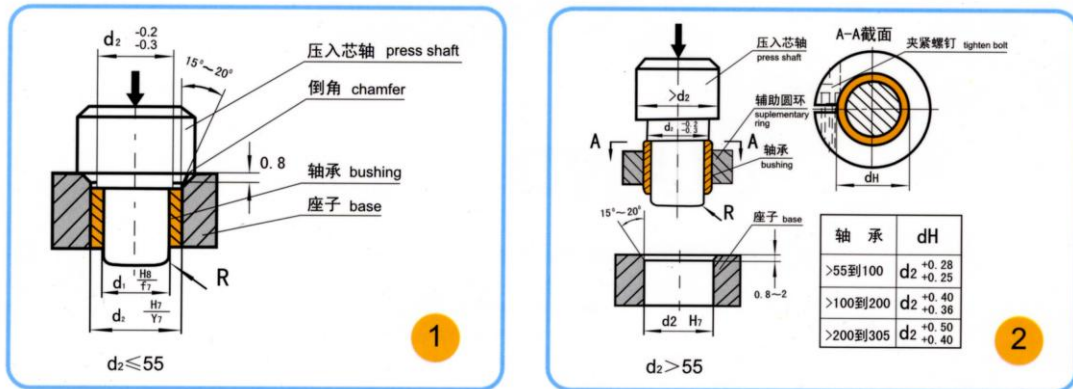


unit: inch

轴 Shaft Dia	孔 Housing	衬套内径 Installed Bearing d_1	法兰直径 Nominal flange d_3	法兰壁厚 Flange thickness t_1	长度Length±0.015			
0.3750	0.4691	0.3779	1 1/16	0.052	SF-1F	SF-1F	SF-1F	SF-1F
0.3740	0.4684	0.3752		0.044	06FSF04	06FSF06	06FSF08	06FSF12
0.5000	0.5941	0.5029	1 3/16	0.052	SF-1F	SF-1F	SF-1F	SF-1F
0.4990	0.5934	0.5002		0.044	08FSF04	08FSF06	08FSF08	08FSF12
0.6250	0.7192	0.628	1 5/16	0.052	SF-1F	SF-1F	SF-1F	SF-1F
0.6240	0.7184	0.6252		0.044	10FSF06	10FSF08	10FSF10	10FSF12
0.7500	0.8755	0.7534	1 1/8	0.068	SF-1F	SF-1F	SF-1F	SF-1F
0.7488	0.8747	0.7502		0.060	12FSF06	12FSF08	12FSF12	12FSF16
0.8750	1.0005	0.8784	1 1/5	0.068	SF-1F	SF-1F	SF-1F	SF-1F
0.8738	0.9997	0.8725		0.060	14FSF08	14FSF12	14FSF16	14FSF20
1.0000	1.1255	1.0034	1 3/8	0.068	SF-1F	SF-1F	SF-1F	SF-1F
0.9988	1.1247	1.0002		0.060	16FSF08	16FSF12	16FSF16	16FSF20
1.2500	1.4068	1.2540	1 3/4	0.083	SF-1F	SF-1F	SF-1F	
1.2484	1.4058	1.2502		0.075	20FSF16	20FSF20	20FSF24	
1.5000	1.6568	1.504	2	0.083	SF-1F	SF-1F	SF-1F	
1.4984	1.6058	1.5002		0.075	24FSF16	24FSF24	24FSF32	
1.7500	1.9381	1.7548	2 3/8	0.098	SF-1F	SF-1F	SF-1F	
1.7484	1.9371	1.7502		0.090	28FSF16	28FSF24	28FSF32	



轴
承
装
配
方
法
图



● 售后服务

1. 本公司负责对售后产品的技术指导与服务工作。
2. 欢迎用户反馈使用结果与状况，以利改进产品，提高客户满意度。

目前，SF 产品可以板材、轴套、轴承、轴瓦、垫片、球座、道轨等形式供货，为满足特殊使用的要求。可根据用户要求，代为设计定制，欢迎选用订购。

- 1、产品基本实行以销定产，并有现货供应，合同签订后可保证 3 天至 15 天内交货。
- 2、轴承尺寸系列是企业标准，同英国、德国标准基本相同，请用户选用。
- 3、非标准及特殊规格产品，可根据要求，本厂承接代为设计和加工制造。
- 4、SF 系列产品公差尺寸采用国际标准，内径为 H8、H9，相配座孔要求 H7。
- 5、本厂代办快递、邮寄、托运、方便用户。
- 6、欢迎来人、来函或电话联系，洽谈业务。
- 7、我厂特点：信守合同、供货及时、质量保证、服务尽善。

嘉善迈德机械有限公司
中国. 浙江. 嘉善县鸿运路 183 号
电话: 0573-84262055
传真: 0573-84262066
<http://www.jsmade.com>

JIASHAN MADE MACHUBERY CO.,LTD
HONGYUN ROAD 183,JIASHAN,ZHEJIANG,P.R.CHINA
TEL: 0086-573-84262055
FAX: 0086-573-84262066
<http://www.jsmade.com>